

Allworx[®] 24x Installation Guide



-PAGE INTENTIONALLY LEFT BLANK-

Table of Contents

1	Installation Overview	1
2	Unpacking	2
3	Chassis Views	3
4	Mechanical	5
4.1	Tabletop Placement	5
4.2	Rack Mount	5
4.3	Wall Mount	6
5	Electrical	8
5.1	Power Connection	8
5.2	Chassis Ground	8
5.3	Power-Up Sequence	8
5.4	Safe Mode Sequence	9
6	Server Configuration	10
7	Ethernet Connectivity	11
8	Analog Telephony	12
9	T1	13
10	Accessories (Optional)	14
10.1	Music-On-Hold	14
10.2	Overhead Paging	14
10.3	Door Relay/Paging Amplifier	15
11	Configuration Example	16
12	Physical and Environmental Specifications	17
13	Regulatory Notices	18
13.1	FCC Part 68	18
13.2	Industry Canada	18
13.3	Radio and Television Interference	19

1 Installation Overview

Installation of the Allworx 24x involves the following steps:

1. Unpacking
2. Mechanical Installation
3. Electrical Installation
4. Accessories Installation
5. Telephony Installation
6. Server Configuration
7. Network Installation
8. T1 Installation

Each of these steps will be described in the following sections.

2 Unpacking

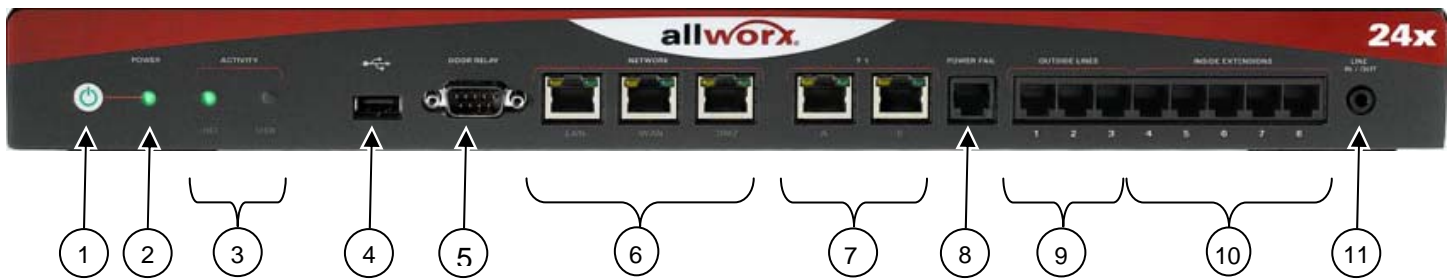
Open the box and carefully unpack it. Save all shipping and packaging materials. Verify all items against the parts list shown in Table 1. If any items are missing, contact your dealer or Allworx Customer Support at 866-255-9679.

Quantity	Item	Part Number
1	Allworx 24x Server	7502000 (Single HDD) 7502500 (Mirrored HDD)
1	Power Cord	3000100-01
1	24x Installation Instructions	5000220-01
1	Software CD	5100140-01
1	Sheet that has 4 Rubber Feet for Table Mounts	4250100-01
1	Rack and Wall Mount Hardware Kit	6000162-01

Table 1: Parts List

3 Chassis Views

Figure 1: Front Chassis View



- 1 Power switch
Press & Release – Normal shutdown within a few seconds
Press & Hold – Forced shutdown
- 2 Power LED – Indicates system start up activity
- 3 Activity LEDs – Green indicates mounted drive; blinking light indicates activity
- 4 USB Host Port
- 5 Door and paging relay port
- 6 RJ-45 10BaseT/100BaseTX Auto-Sensing Auto-MDI/MDIX Local Area, Wide Area, and Demilitarized Zone (DMZ)* Network Ethernet ports.
- 7 T1 Ports (A/B)
- 8 RJ-11 Power Fail analog phone connector
- 9 RJ-11 loop-start FXO for central office connection (Ports 1-3)
- 10 RJ-11 FXS ports for inside extensions (Ports 4-8)
- 11 3.5 mm stereo audio mini jack for music-on-hold (input) and overhead paging (output)

* Future Feature

Figure 2: Rear Chassis View



- 12 Air intake vent
- 13 Permanent ground connecting screw
- 14 Air exhaust vent
- 15 IEC Power cord connector

4 Mechanical

4.1 Tabletop Placement

To install the Allworx 24x on a tabletop or shelf:

1. Remove the four rubber feet from the packaging.
2. Remove the paper backing from each rubber foot.
3. Turn over the chassis and place one foot at each corner on the bottom of the chassis.

4.2 Rack Mount

To mount the Allworx 24x, 1U high rack mount, inside of a standard 19 inch rack:

1. Verify that there is sufficient clearance around the server's front and rear panels to allow power, network, and telephony connections.
2. Place the brackets so that the smaller face of the bracket extends away from the front of the unit to accommodate installation into the rack (See Figure 3).
3. Install the mounting brackets on each side of the server chassis using the four 6-32 flat head screws.
4. Proceed to the *Power Connection* (Section 5.1) instructions and perform the steps appropriate for your installation before placing the system into the rack.
5. Install the server into the rack using appropriate hardware.

Figure 3: Rack Mount Bracket Installation



4.3 Wall Mount

Note: For wall mount installations, discard included power cord and use only a UL listed power cord of type SJ or SO or better.

To mount the Allworx 24x on ½” drywall:

1. Verify that there is sufficient clearance around the server’s front and rear panels to allow power, network, and telephony connections. Place the brackets on each side of the unit so that the smaller face of the L-Bracket is facing down (See Figure 4).
2. Install the mounting brackets on each side of the server chassis using the four 6-32 flat head screws.
3. Use self-drilling drywall anchors rated for at least 20 lbs with screws that are either #6 or #8. Locate two anchors that will support the upper end of the unit using the wall mount diagram. Install the anchors per the anchor manufacturer’s recommendation. Install the mounting screws through the bracket holes and into the anchors.
4. Tighten screws so that Allworx server is secured firmly against the wall.

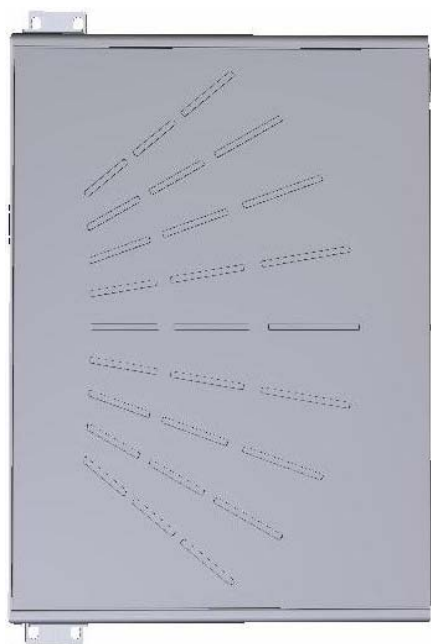
Caution: The Allworx server must be securely mounted to the wall to avoid equipment damage or personal injury.

Note: The unit must be mounted with the front facing left or right, not up or down (See Figure 5).

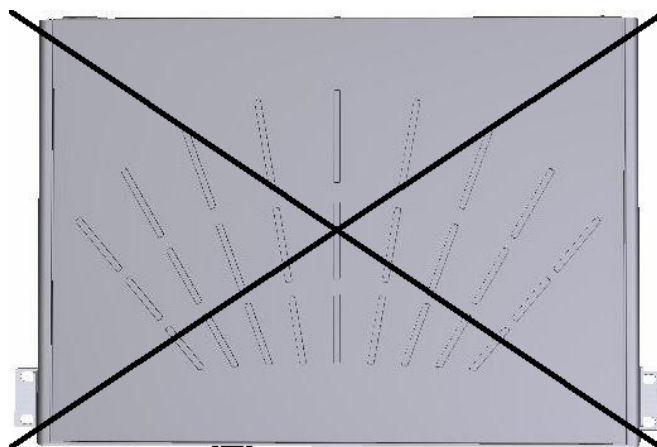
Figure 4: Wall Mount Bracket Installation



Figure 5: Wall Mount Orientation



Correct Orientation



Wrong Orientation

5 Electrical

5.1 Power Connection

Warning: Failure to follow these steps may result in equipment damage, personal injury, and a voided product warranty.

Insert the female end of the power cord into the receptacle on the rear of the unit. Connect the other end to the power source. The product is rated 115/230 VAC, 1/0.7A, and 50/60Hz. The Allworx server will automatically begin to power up once the power has been stable for a few seconds. This is part of the design to automatically boot up after a power failure.

5.2 Chassis Ground

Warning: Failure to follow these steps may result in equipment damage, personal injury, and a voided product warranty.

To help prevent electrical shock, the separate protective earthing terminal, located next to the power jack on the rear panel, must be permanently connected to earth using 18 AWG wire or larger. (See Figure 2, item 13)

5.3 Power-Up Sequence

As the Allworx server progresses through the power up sequence, the front panel lights will respond as shown in Table 2.

Front Panel Light	Power-Up Sequence Description
Power	Flashes green as the power up sequence progresses; steady green when the unit is ready.
Activity – HD	Solid green when drive mounted; blinking light indicates activity.
Activity – USB	Solid green when device attached and enabled; blinking light indicates activity.

Table 2: Front Panel Lights During Power-Up Sequence

5.4 Safe Mode Sequence

With the unit powered off, press and hold the power button for more than 1 second. Release the power button once the power light turns amber. As it progresses through the safe mode power up sequence, the front panel lights will respond as shown in Table 3.

Front Panel Light	Power-Up Sequence Description
Power	Turns amber to indicate a safe mode boot has been initialized; Flashes green as the power up sequence progresses; Steady amber when the unit is in safe mode.
Activity – HD	Off.

Table 3: Front Panel Lights During Safe Mode Sequence

6 Server Configuration

The Allworx 24x provides an administrative interface to configure and administer the server. The administrative interface is accessed using a web browser. Assuming the network settings are set to their factory defaults, the steps to connect to this interface are:

1. Plug your PC directly into the LAN port.
2. Set up the PC's network interface to obtain an IP address automatically (using DHCP).
3. You may need to release and renew the PC's IP address, from Windows Command Prompt, to get an address from the server.
4. Verify that the PC has an IP address on the 192.168.2.xxx network.
5. Open your browser and enter the server's default URL of <http://192.168.2.254:8080>, or current LAN IP address for server.
6. When the Welcome to Allworx page appears, login using the default password of "admin".

When the Home page appears, click on the Install Checklist link (on the left hand side) to bring up a new window containing steps necessary to set up a new system. Each brief step description is followed by a link to get to the appropriate administrative web page to execute the step. These steps are ordered to aid in a successful configuration. Most of the web pages used to execute each step contain detailed feature descriptions and help instructions that are required to carry out the step. Use the *Allworx System Administration Guide*** as a supplement for the information on the web pages when necessary.

If the server has been previously configured for another installation, you should restore it to its factory default configuration. This can be done by:

1. Rebooting the server to Safe Mode by holding down the power button when the server is off, or selecting Maintenance (on the left hand side), Restart, and "Enter Safe Mode after restart".
2. Format the disk and perform a Software Update (See *Allworx System Administration Guide*** for instructions).

** Allworx System Administration Guide for the 24x can be found at www.allworx.com/downloads.asp

7 Ethernet Connectivity

The Local Area Network (LAN), Wide Area Network (WAN), and Demilitarized Zone (DMZ)* data network ports are 10BaseT/100BaseTX auto-sensing and auto-MDI/MDIX ports.

SIP phones connect to the server just as any other data network device. The phones and the server need to be properly configured. See the *Server Configuration* (Section 6) for more information.

The Allworx 24x is a sophisticated network appliance that must be properly configured before being connected to the LAN, WAN, and DMZ*.

Note: Do not plug any network or ISP service into the server without first properly configuring the server. Failure to heed this warning may result in a disruption of network connectivity with other equipment on the network.

After the unit is properly configured, the LAN, WAN, and DMZ* network infrastructure cables can be plugged in. Standard RJ-45 category 5 network cables must be used.

The LED's on the LAN, WAN, and DMZ* ports are defined in Table 4.

LED Identification	State	Description
Green	Off	No link: the network is not connected
	On	Link: the network is successfully connected
	Blinking	Activity: data is being transmitted or received
Amber	Off	Speed: 10MB/S
	On	Speed: 100MB/S

Table 4: Network Port LED Definitions

* Future Feature

8 Analog Telephony

CAUTION: To reduce the risk of fire, use only 26 AWG (or larger) UL listed or CSA certified telecommunications line cord.

The server's analog phone connections can be used to connect Central Office (CO) lines or telephone handsets. Table 5 below describes the ports:

RJ-11 Ports	Type	Description
1-3	FXO (loop-start)	Used to connect to Central Office (CO) lines
4-8	FXS	Telephone handsets

Table 5: Analog Telephony Ports

It is recommended that the ports be connected as follows:

- **CO Lines:** Begin with port 1 and move up.
- **Telephone Handsets:** Begin with port 8 and move down.

The Power Fail Phone port may be used to connect an analog phone device that is operational in the event that the server loses power or fails. During power failure, it automatically connects to the first outside phone line port (port 1).

Surge protection is provided internally on all telephony interfaces.

9 T1

T1-A and T1-B interface pin-outs for typical service connections as shown in Table 6, may require either a straight through cable or a cross-over cable.

Pin	Description
1	Receive (ring)
2	Receive (tip)
3	Not Used
4	Transmit (ring)
5	Transmit (tip)
6	Not Used
7	Not Used
8	Not Used

Table 6: T1 Connector Wiring

The Allworx 24x is designed for T1 “short haul” use and has a fully integrated Channel Service Unit / Data Service Unit (CSU/DSU). An external CSU/DSU is not required and should not be used. The Allworx 24x should be connected directly to the on-site smart jack or local T1 device using the proper cabling. Do not connect the Allworx 24x directly to the "long haul" wire pairs exiting the building.

Note: Do not plug any network or ISP service into the server without first properly configuring the server. Failure to heed this warning may result in a disruption of network connectivity with other equipment on the network.

After the unit is properly configured, the T1 network infrastructure cables can be plugged in. Standard RJ-45 T1 cables must be used.

The LED’s on the T1 ports are defined in Table 7.

Green	Amber	State Meaning
OFF	OFF	Red Alarm State – No received Signal
ON	OFF	No Alarms or Errors – Good Lock to Line
ON	ON	Amber Alarm State – Remote End error
ON	Blinking	Signal Quality Problem – Error of some kind

Table 7: Network Port LED Definitions

10 Accessories (Optional)

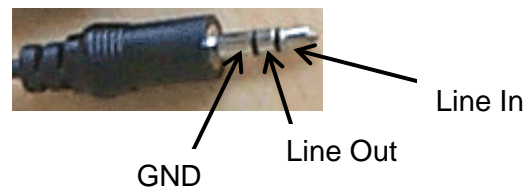
10.1 Music-On-Hold

Connect the output from your music system to the server using a Y-Adapter Audio Cable [part#: 42-2551] (See Figure 6). Insert the 3.5mm stereo plug (See Figure 7) into the audio connector labeled “Line IN/OUT” on the front panel (See page 3, Figure 1: Front Chassis View, item 11). **Only the white audio channel is used for music input (See Figure 6).**

Figure 6: Y-Adapter Audio Cable



Figure 7: Audio Plug Diagram



10.2 Overhead Paging

Connect the server to the input of your paging system using a Y-Adapter Audio Cable [part#: 42-2551] (See Figure 6). Insert the 3.5mm stereo plug (See Figure 7) into the audio connector labeled “Line IN/OUT” on the front panel (See page 3, Figure 1: Front Chassis View, item 11). **Only the red audio channel is used for paging output (See Figure 6).**

Note: A stereo splitter (not included) is required to use both Music-On-Hold and Overhead Paging collectively.

10.3 Door Relay/Paging Amplifier

Unit comes with a single set of C-form relay contacts for connecting to external devices such as remote door releases and amplifiers. The contacts are rated 30 VDC @ 1A. Connect only: SELV circuits meeting IEC 60950-1 / UL 60950-1 OR NEC Class 2 circuits

Warning: Do not exceed the contact rating.

The connector is shared with the serial port (See page 3, Figure 1, item 5). The pin-out is shown in Table 8 below.

Pin	Signal	Direction
2 (do not connect)	RX	Input
3 (do not connect)	TX	Output
5 (do not connect)	GND	--
9	Relay COM	--
6	Relay NC	--
1	Relay NO	--

Table 8: Door Relay Pin-Out

To configure the door relay/paging amplifier:

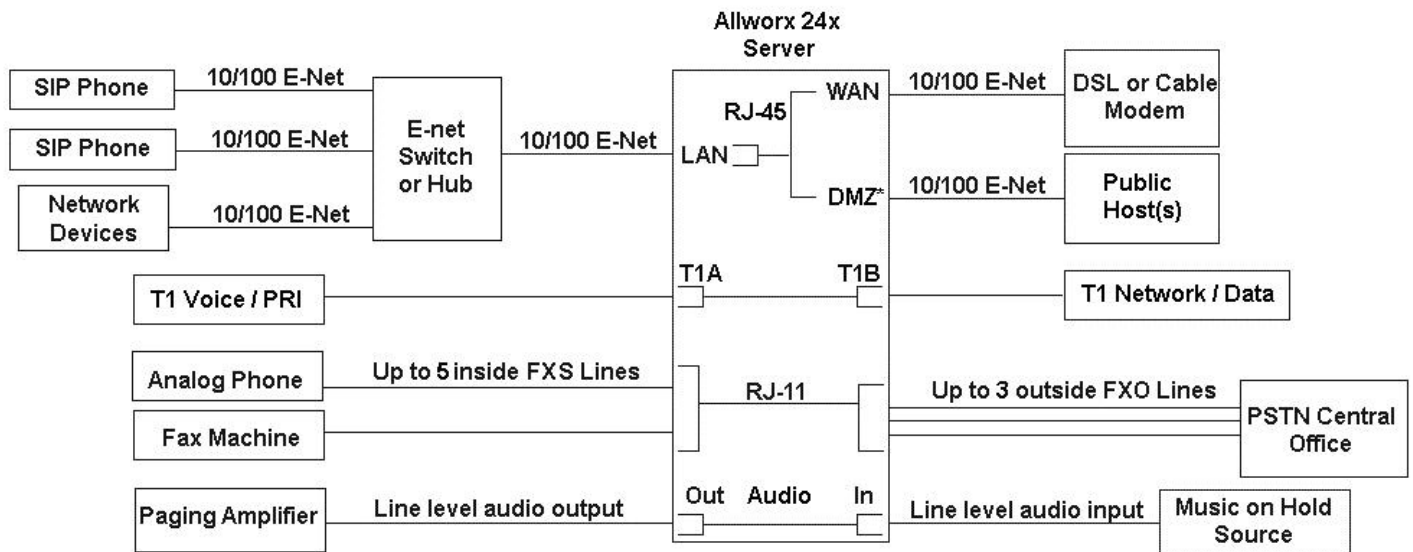
1. Open your browser and enter the URL <http://192.168.2.254:8080> or current LAN IP address for the server. Refer to *Server Configuration* (Section 6).
2. In the Phone System group select "Paging".
3. Click "Modify" in the Page Amplifier area.
4. Select "DB9 is connected to a Door Entry System" to enable door relay or "DB9 is connected to a Paging Amplifier" to enable amplifier
5. Click "Update"

To activate the door relay: Dial extension 403 from any handset connected to the system dial.

11 Configuration Example

A sample Allworx 24x configuration setup is shown in the Figure 8 below:

Figure 8: Configuration Example



12 Physical and Environmental Specifications

Dimensions (W x H x D)	17 x 1.75 x 12 inches (43.2 x 4.4 x 30.5 cm)
Weight (Base Model)	9.5 lbs (4.28 kg)
Power	115/230 VAC, 1/0.7A, 50/60Hz
Temperature	0° ~ 40° C
Humidity	15% ~ 90% RH, Non-condensing

Table 9: Specifications

13 Regulatory Notices

13.1 FCC Part 68

This equipment complies with Part 68 of FCC rules and the requirements adopted by ACTA. On the bottom of this equipment is a label that contains, among other information, a product identifier in the format US:AAAEQ##TXXXX. If requested, provide this number to the telephone company.

A plug and jack to connect this equipment to the premises wiring and telephone network must comply with the applicable FCC Part 68 rules and requirements adopted by the ACTA.

The REN is used to determine the number of devices that may be connected to a telephone line. Excessive RENs on a telephone line may result in the devices not ringing in response to an incoming call. In most but not all areas, the sum of RENs should not exceed five (5.0). To be certain of the number of devices that may be connected to a line, as determined by the total RENs, contact the local telephone company. For products approved after July 23, 2001, the REN for this product is part of the product identifier that has the format US:AAAEQ##TXXXX. The digits represented by ## are the REN without a decimal point (e.g., 03 is a REN of 0.3). For earlier products, the REN is separately shown on the label.

If this equipment causes harm to the telephone network, the telephone company will notify you in advance that temporary discontinuance of service may be required. But if advance notice isn't practical, the telephone company will notify the customer as soon as possible. Also, you will be advised of your right to file a complaint with the FCC if you believe it is necessary.

The telephone company may make changes in its facilities, equipment, operations or procedures that could affect the operation of the equipment. If this happens, the telephone company will provide advance notice in order for you to make necessary modifications to maintain uninterrupted service.

If trouble is experienced with this equipment, for repair or warranty information, please contact our company. If the equipment is causing harm to the telephone network, the telephone company may request that you disconnect the equipment until the problem is resolved.

13.2 Industry Canada

The Industry Canada label identifies certified equipment. This certification means that the equipment meets telecommunications network protective, operation and safety requirements as prescribed in the appropriate Terminal Equipment Technical Requirements document(s). The Department does not guarantee the equipment will operate to the user's satisfaction. Before installing this equipment, users should ensure that it is permissible to be connected to the facilities of the local telecommunications company. The equipment must also be installed using an acceptable method of connection. The customer should be aware that compliance with the above conditions might not prevent degradation of service in some situations.

Repairs to certified equipment should be coordinated by a representative designated by the supplier. Any repairs or alterations made by the user to this equipment, or equipment malfunctions, may give the telecommunications company cause to request the user to disconnect the equipment.

allworx 24x Installation Guide

Users should ensure for their own protection that the electrical ground connections of the power utility, telephone lines and internal metallic water pipe system, if present, are connected together. This precaution may be particularly important in rural areas.

CAUTION: Users should not attempt to make such connections themselves, but should contact the appropriate electric inspection authority, or electrician, as appropriate.

NOTICE: This equipment meets the applicable Industry Canada Terminal Equipment Technical Specifications. This is confirmed by the registration number. The abbreviation, IC, before the registration number signifies that registration was performed based on a Declaration of Conformity indicating that Industry Canada technical specifications were met. It does not imply that Industry Canada approved the equipment.

AVIS: Le présent matériel est conforme aux spécifications techniques d'Industrie Canada applicables au matériel terminal. Cette conformité est confirmée par le numéro d'enregistrement. Le sigle IC, placé devant le numéro d'enregistrement, signifie que l'enregistrement s'est effectué conformément à une déclaration de conformité et indique que les spécifications techniques d'Industrie Canada ont été respectées. Il n'implique pas qu'Industrie Canada a approuvé le matériel.

NOTICE: The Ringer Equivalence Number (REN) for this terminal equipment is 0.1. The REN assigned to each terminal device provides an indication of the maximum number of terminals allowed to be connected to a telephone interface. The termination on an interface may consist of any combination of devices subject only to the requirement that the sum of the Ringer Equivalence Numbers of all the devices does not exceed 5.

AVIS : L'indice d'équivalence de la sonnerie (IES) du présent matériel est de 0.1. L'IES assigné à chaque dispositif terminal indique le nombre maximal de terminaux qui peuvent être raccordés à une interface téléphonique. La terminaison d'une interface peut consister en une combinaison quelconque de dispositifs, à la seule condition que la somme d'indices d'équivalence de la sonnerie de tous les dispositifs n'excède pas 5.

13.3 Radio and Television Interference

This equipment has been tested and found to comply with the limits for a Class B digital device, pursuant to Part 15 of the FCC rules. These limits are designed to provide reasonable protection against harmful interference in a residential installation. This equipment generates uses and can radiate radio frequency energy and, if not installed and used in accordance with the instructions, may cause harmful interference to radio communications. There is no guarantee, however, that interference will not occur in a particular installation. If this equipment does cause harmful interference to radio or television reception, which can be determined by turning the equipment off and on, the user is encouraged to try to correct the interference by one or more of the following measures:

- Reorient or relocate the receiving antenna.
- Increase the separation between the equipment and the receiver.
- Connect the equipment into an outlet on a circuit different from that to which the receiver is connected.
- Consult the dealer or an experienced radio/TV technician for help.

You may also find helpful the following booklet, prepared by the FCC: "How to Identify and Resolve Radio-TV Interference Problems." This booklet is available from the U.S. Government Printing Office, Washington D.C. 20402.

allworx 24x Installation Guide

Changes and Modifications not expressly approved by the manufacturer or registrant of this equipment can void your authority to operate this equipment under Federal Communications Commissions rules.

This digital apparatus does not exceed the Class B limits for radio noise emissions from digital apparatus set out in the Radio Interference Regulations of the Canadian Department of Communications.

Le présent appareil numérique n'émet pas de bruits radioélectriques dépassant les limites applicables aux appareils numérique de la class B prescrites dans le Règlement sur le brouillage radioélectrique édicte par le Ministère des Communications du Canada.