

Basic Installation instructions for the EncoreCX

This is a basic installation sheet for the EncoreCX.

Detailed installation instructions are supplied in the Installation Manual that is on the CD supplied with the phone system.

Step 1

Find a suitable location

The equipment is intended for installation in a residential or office-type environment. It needs to be mounted at a convenient working height on a dry, flat wall. The normal height is five feet from the floor to the bottom of the case.

Do not place the Common Control Unit (CCU) where it will be subjected to excessive levels of heat, dust, or high humidity. Locating the equipment near sources of electromagnetic radiation, such as heavy electrical switchgear, elevator machinery, or electric arc welders, should be avoided.

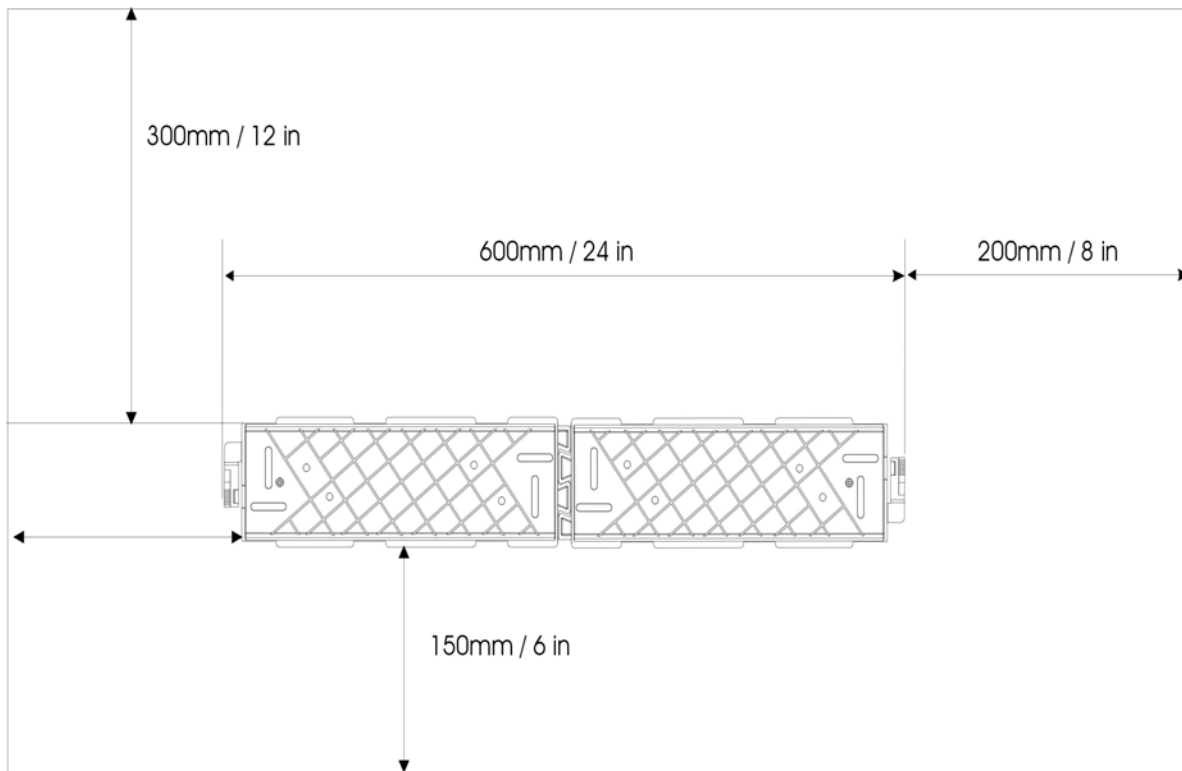
Allow at least six inches of free space all around the CCU for ventilation.

The CCU needs to be located within six feet of an isolated, dedicated power supply outlet. The CCU must not share the same circuit with any other electrical appliance.

Step 2

Mount the wall bracket(s)

Use the wall bracket as a template to mark the screw holes for the first bracket. If a unit with expansion modules (Extension or Internet Router) is to be installed, install the second bracket. Allow the clearances shown below so that the unit can be expanded even if you are only installing one bracket now.

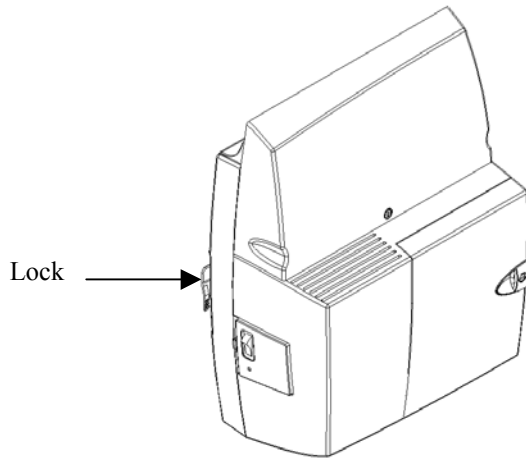


Step 3

Mount the CCU on the first bracket

The CCU is mounted on the bracket by sliding it on from the left-hand side. There are two marks on the right-hand side of the CCU. Line these up with the inside edge of the last flange on the bracket and slide the CCU to the right. When you slide the CCU fully to the right it is automatically locked in place.

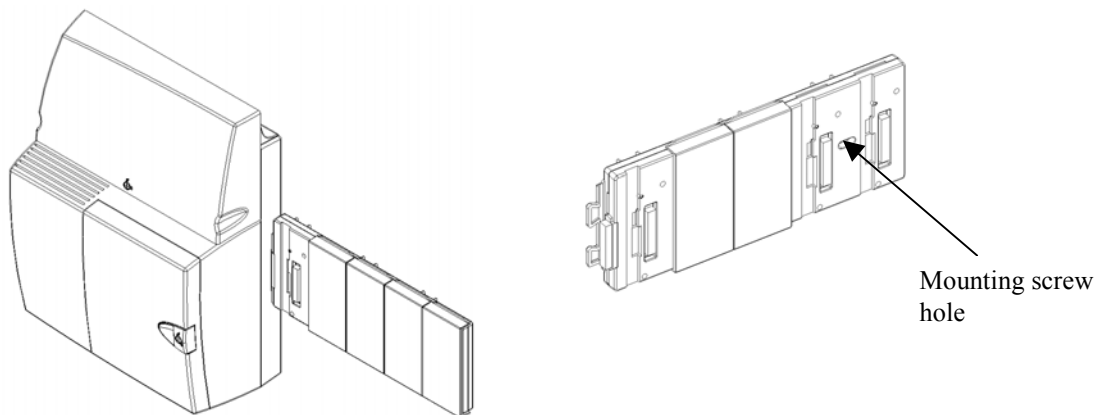
To remove the CCU, depress the lock located on the left-hand side of the wall bracket and slide the CCU to the left.



Step 4

Install the backplane and secure it to the wall bracket

If the unit is equipped with expansion modules (Extension or Internet Router) the expansion backplane must be installed on the second wall bracket and secured to it with the mounting screw provided. Remove the fourth and fifth covers to locate the mounting screw hole.



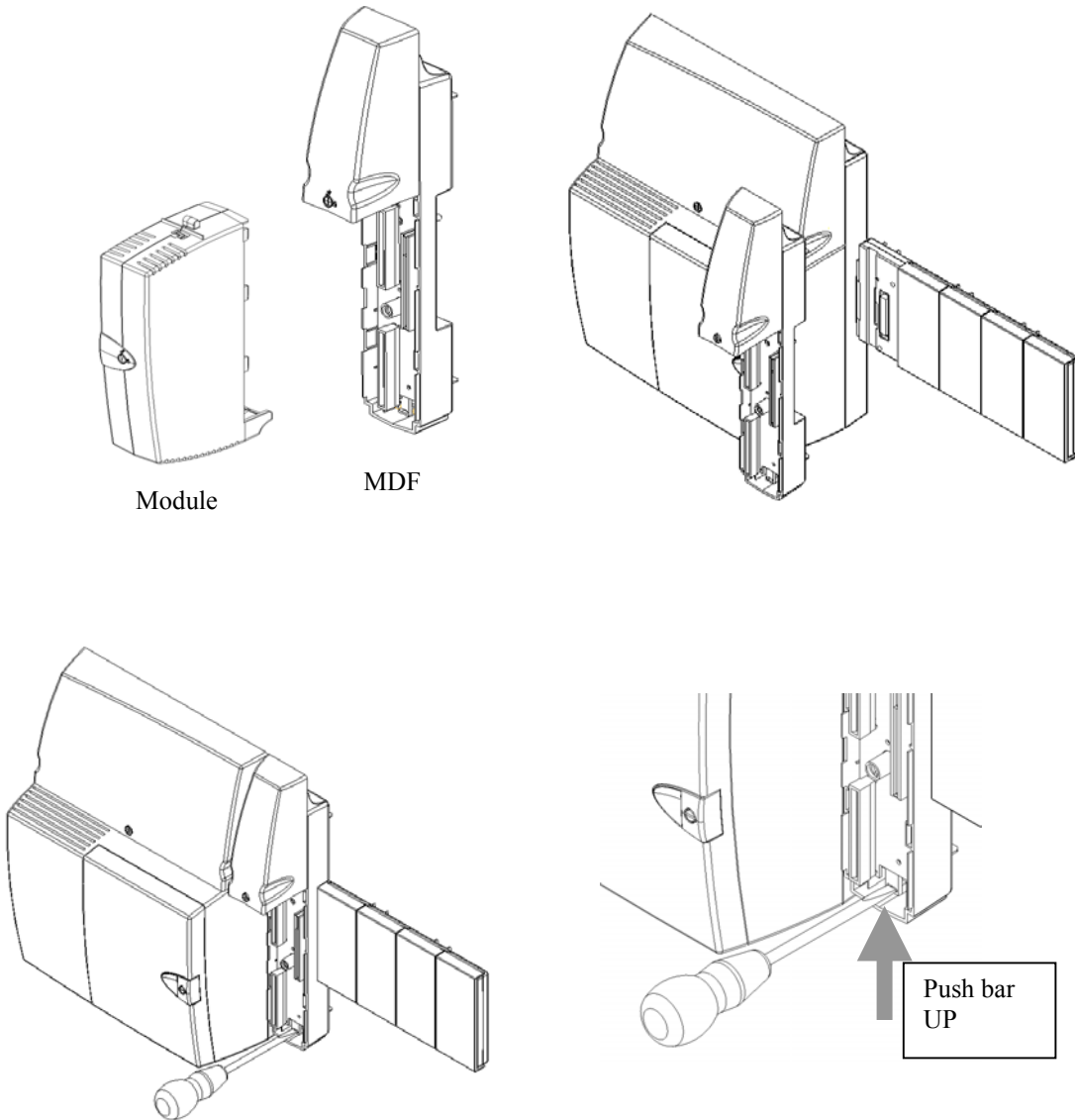
IMPORTANT: The backplane must be secured to the wall bracket using the mounting screw to ensure it is securely locked in place and does not move when modules are being installed.

Step 5

Install any additional modules on the Backplane

The Extension and Internet Router Modules are supplied in two parts: the Main Distribution Frame (MDF) and the Module itself.

Install the MDF on the backplane; lock it by pushing the locking bar up as shown and then insert the module. Note: If installing CO Module(s) in the Extension Module perform step 6B before inserting the Extension Module.

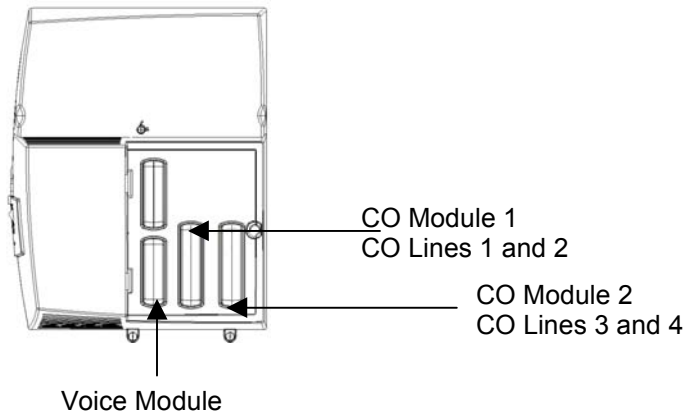


Push the Locking bar UP to lock the MDF in place

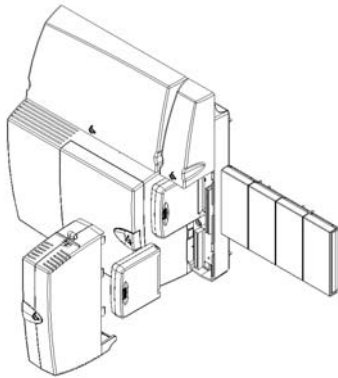
Step 6

Install the CO modules and the Voice module

6A: Installing modules in the CCU



6B: Installing CO Modules in the Extension module



NOTE: Ensure all the locking screws are locked after the modules are installed.

